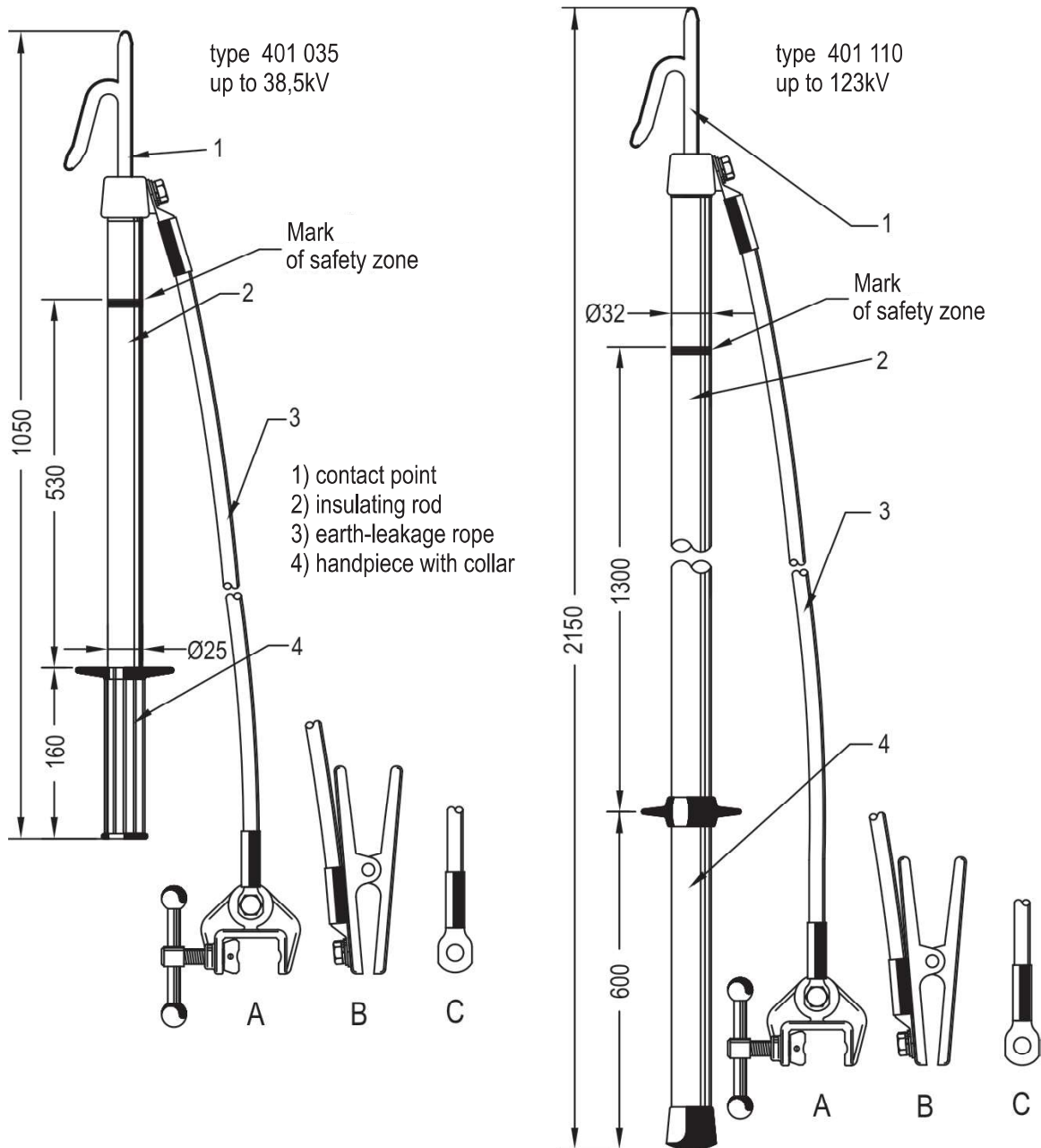




DISCHARGING TOOL

type 401 035
type 401 110

It is used for discharging of residual charges in electric circuit, (transmitters HDO, electrostatic precipitators, etc.) while they are disconnected from power supply.



SPECIFICATION

Attachable to:		Design	A	B	C
A - screw clamp	Ø5-20 mm				
	≠5-30 mm	Rope's cross-section	25 mm ²	25 mm ²	25 mm ²
B - spring clamp	≠2-25 mm	Rope's length	3 000 mm	3 000 mm	3 000 mm
C - cable lug	stand-by connection to bolt M10	Set's weight			
	PNE 359700	type 401 035	2,8 kg	1,6 kg	1,3 kg
- produced in accordance with	ČSN 359703	type 401 123	3,3 kg	2,1 kg	1,8 kg