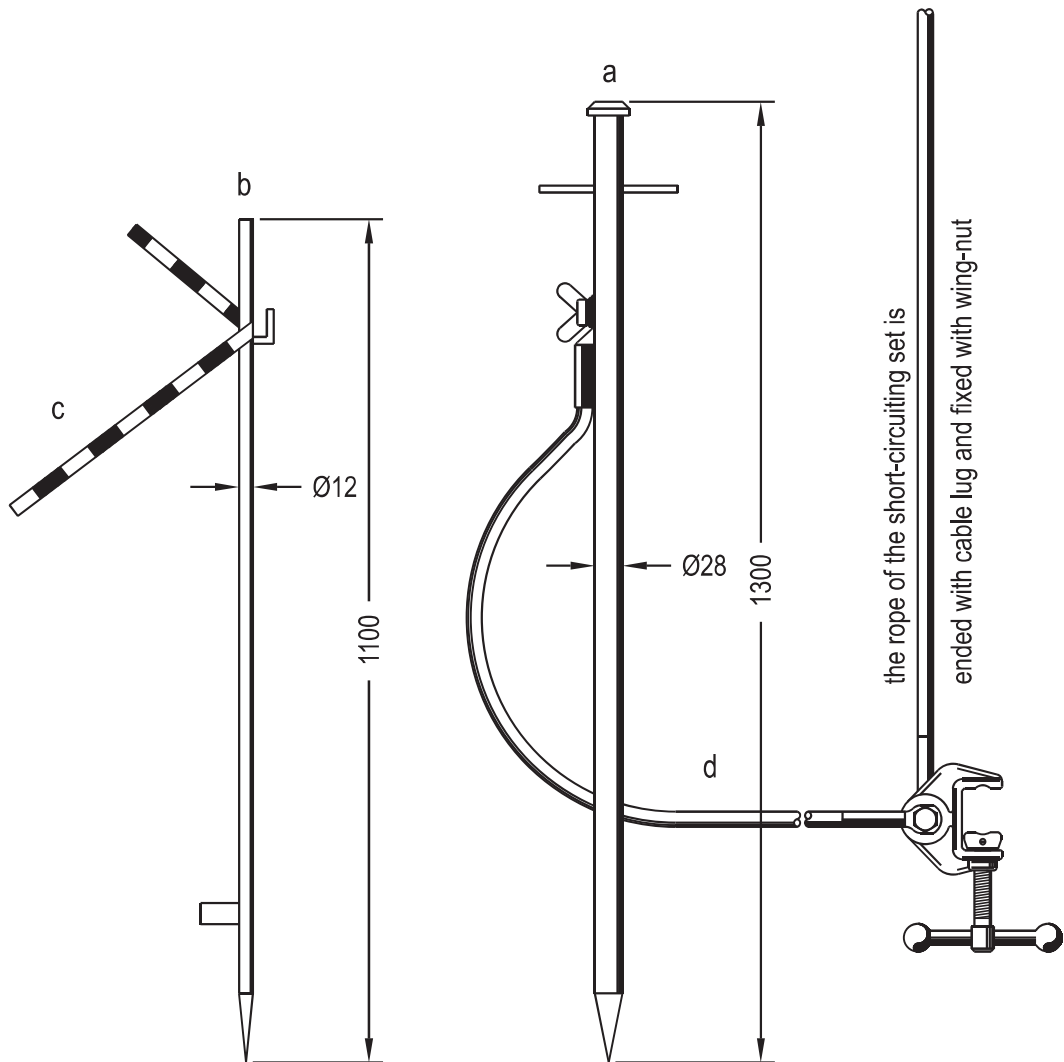




GROUNDING ROD

type 154 035-0700

The grounding rod with mobile barrier for short-circuiting sets. It is designed mainly for short-circuiting set type 152 035.



SPECIFICATION

Fixation of grounding rope to the screw bolt M12.
Barrier - 4x4 m.

Position c) and d) are delivered in case.

a	grounding rod	1 pcs
b	the rod of mobile barrier	4 pcs
c	barrier - rope Ø 9 mm	16 000 mm
d	grounding rope	cross-section: 25 mm ²
		length: 15 000 mm