

MANIPULATION STICK 38,5 kV type 211035

User manual

General description:

The manipulation stick is designed to control circular drives of disconnectors, switches and earthing switches under voltage up to 38.5 kV in electrical stations. The manipulation stick is made of electrical insulating material, finished with a cardan shaft with an internal hexagon SHR 19.

The device is designed for use in indoor areas with a normal and cold environment (according to ČSN 332000) or in a dry outdoor environment, under conditions corresponding to a normal environment. This means that the device mustn't be used in rain, fog or snow.

Directions for use:

The visual checking is necessary before using. The manipulation sticks must be kept clean, dry and it must not be mechanical damaged.

The insulating part (the part of the stick that provides the user with an adequate insulation distance) is bounded on the manipulation stick by a collar and a limit mark (red circle). This limit mark specifies the limit beyond which the user can insert or touch the aid between live parts.

Maintenance instructions:

The manipulation stick must be kept in good condition. Before each use, it is necessary to perform a visual inspection and at least once a year a thorough inspection, including cleaning. The manipulation stick is designed for phase-to-phase voltage of 38,5 kV with a frequency of 50 Hz and climatic conventional category from -25°C to $+55^{\circ}\text{C}$. The operator is obliged to submit the manipulation stick to periodical tests at prescribed time intervals 36 months (protective tools contained in the employee's equipment in his means of transport) or 60 months (stably placed protective tools) acc. PNE 359700.

National requirements with reference to periodic inspection and testing may be considered adequate.

Testing:

Products are subjected to type tests according to CSN 359701 and PNE 359700 in a state-accredited testing laboratory, EGÚ Běchovice. Before dispatching, each product is subjected to routine test.

Packing:

The manipulation sticks are supplied without casing, only in transportation packaging. The User's Manual as well as a letter of warranty are enclosed as a part of each product.

Storage:

The manipulation sticks must be stored in dry rooms where they can not be mechanically damaged.

Warranty:

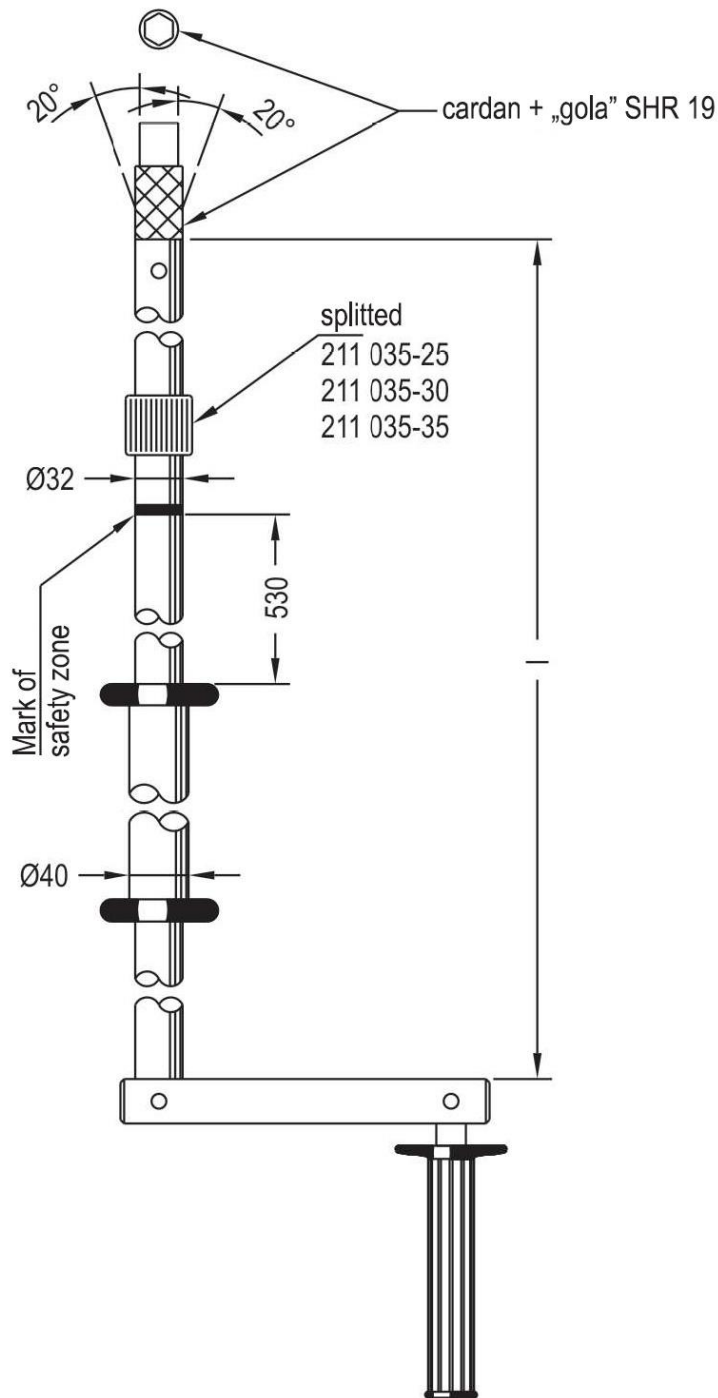
These products are provided with a 24-month warranty running from the date of their sale for a maximum time of 36 months post-manufacturing date. Defects caused by unprofessional manipulation and/or inappropriate storage conditions are not covered by this warranty.



HANDLING ROD

type 211 035-...

It is used in electric stations for disconnectors control in emergency.



SPECIFICATION

TYPE	NOMINAL VOLTAGE [kV]	LENGTH l [mm]	TEST VOLTAGE [kV]	WEIGHT [kg]	
211 035-10	38,5	1000	60	1,8	
211 035-15		1500		2,0	
211 035-20		2000		2,2	
211 035-25		2500		splitted	2,4
211 035-30		3000			2,6
211 035-35		3500			2,8

Mechanical strength is 500N for the duration of 1 min. The product satisfy PNE 359700, ČSN 359701.

