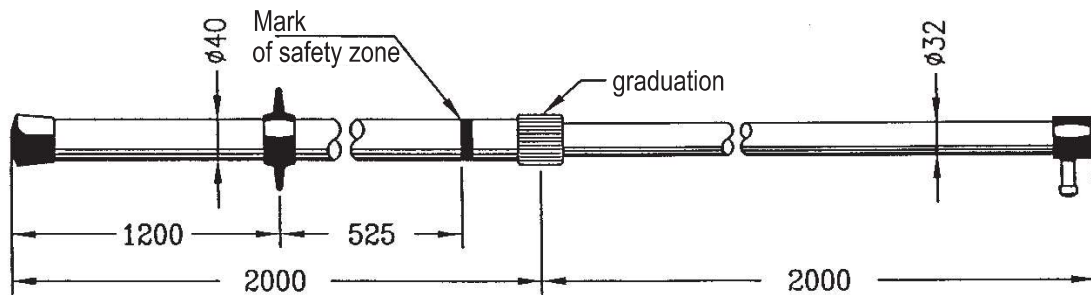
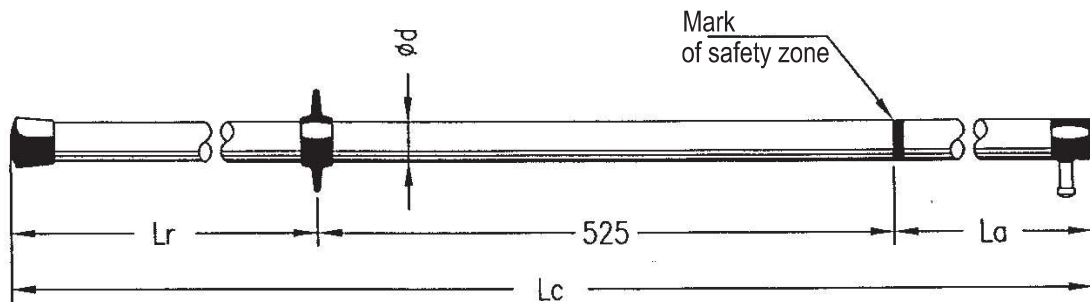
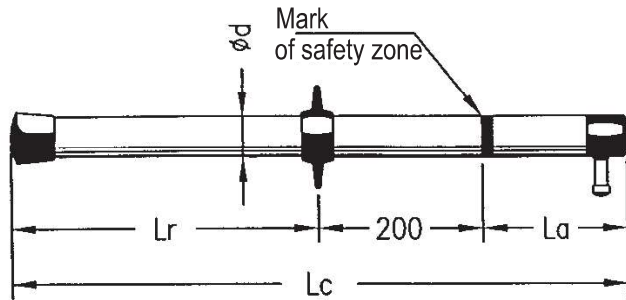




SWITCHING RODS

Switching rods are designed to be used for manipulation with isolators, transfer switches, and earth switches working under voltage in electric stations.



SPECIFICATION

TYPE	NOMINAL VOLTAGE [kV]	DIMENSIONS [mm]				WEIGHT [kg]	TEST VOLTAGE [kV]
		L_c	L_r	L_a	$\varnothing d$		
201 001	1	500	200	100	32	0,35	2,3
201 012	12	1040	350	115	32	0,5	23
201 035	38,5	2040	600	915	32	1,0	60
202 035		1040	350	115	32	0,5	
203 035		1540	500	575	32	0,65	
204 035		4000	1200	2275	32/40	2,15	

Mechanical strength is 500N for the duration of 1 min. The product satisfy PNE 359700, ČSN 359701.